

ITEM NO.	PART NAME	MATERIAL WEIGHT	QTY.
1	SHREDDER	100 KG	1
2	MIXING TANK	120 KG	1
3	DIGESTER	3500 KG(20500 KG AT MAX.LOAD)	1
4	H2O SCRUBBER	50 KG	1
5	H2S SCRUBBER	70 KG	1
6	DISTRIBUTION BOX	60 KG	1
7	FILTER	10 KG	1
8	BALLOON CAGE	220 KG	1
9	PRESSURE VESSEL	1350 KG	1
10	COMPRESSOR	150 KG	1
11	AUTOMATION BOX	80 KG	1
12	VALVE BOX	45 KG	1
13	HYDROLYSER	350 KG(3350 KG AT MAX. LOAD)	1
14	SCREW PUMP	110 KG	1
15	STARTER BOX	50 KG	1

NOTE:

- * DIA 2310 IS THE DIGESTER DIAMETER
- * DIA 2700 IS THE BASEMENT DIAMETER (INCLUDING LEG)

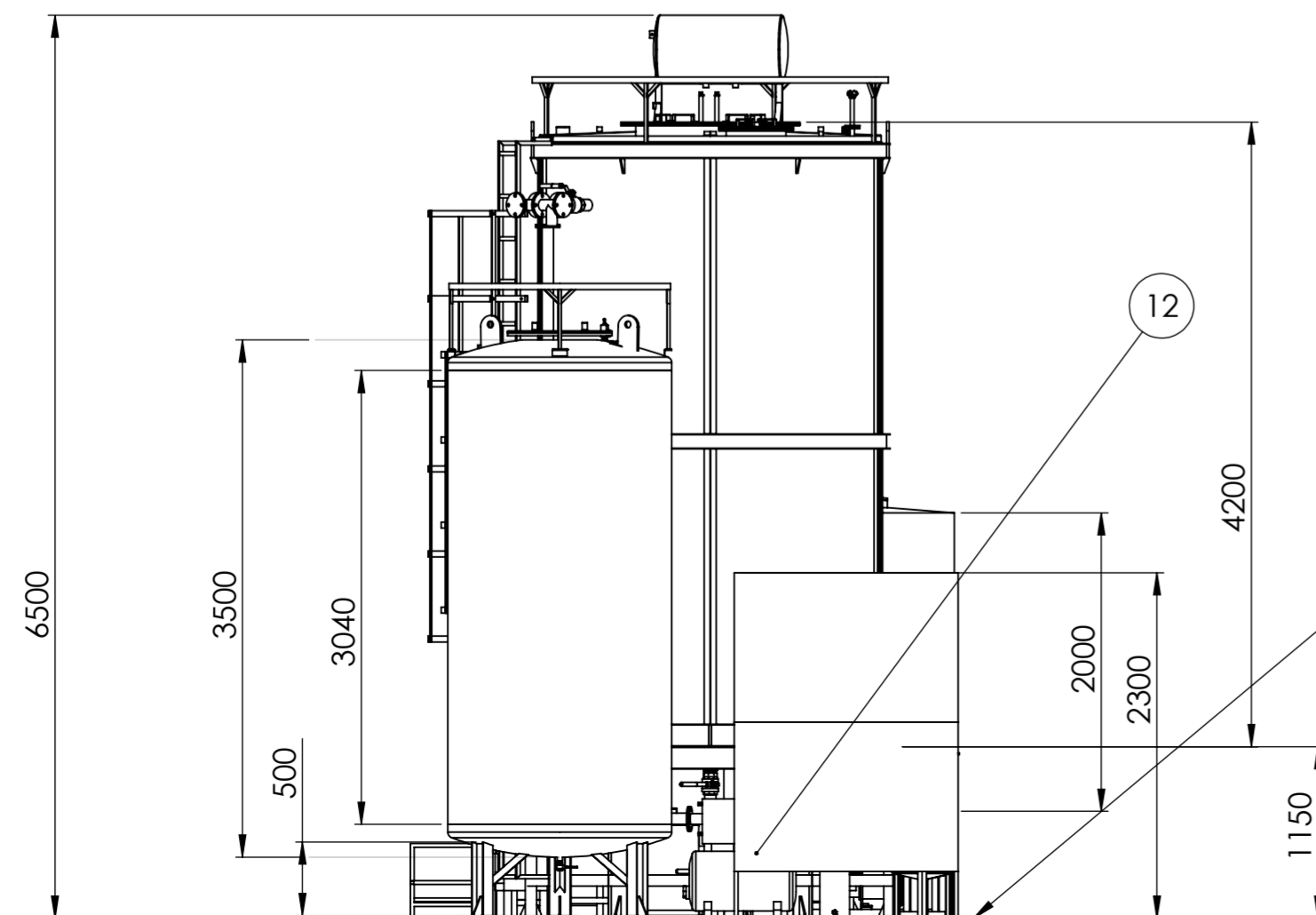
* 10 SQMM/XLPE 4 CORE CU CABLE TO BE LAID TILL MAIN PANEL BOARD

* ROOFING TO BE DONE AFTER INSTALLATION BY CUSTOMER. GAP FROM TANK TOP TO ROOF MIN. 1.5 M

* CUSTOMER TO DECIDE THICKNESS OF RCC,

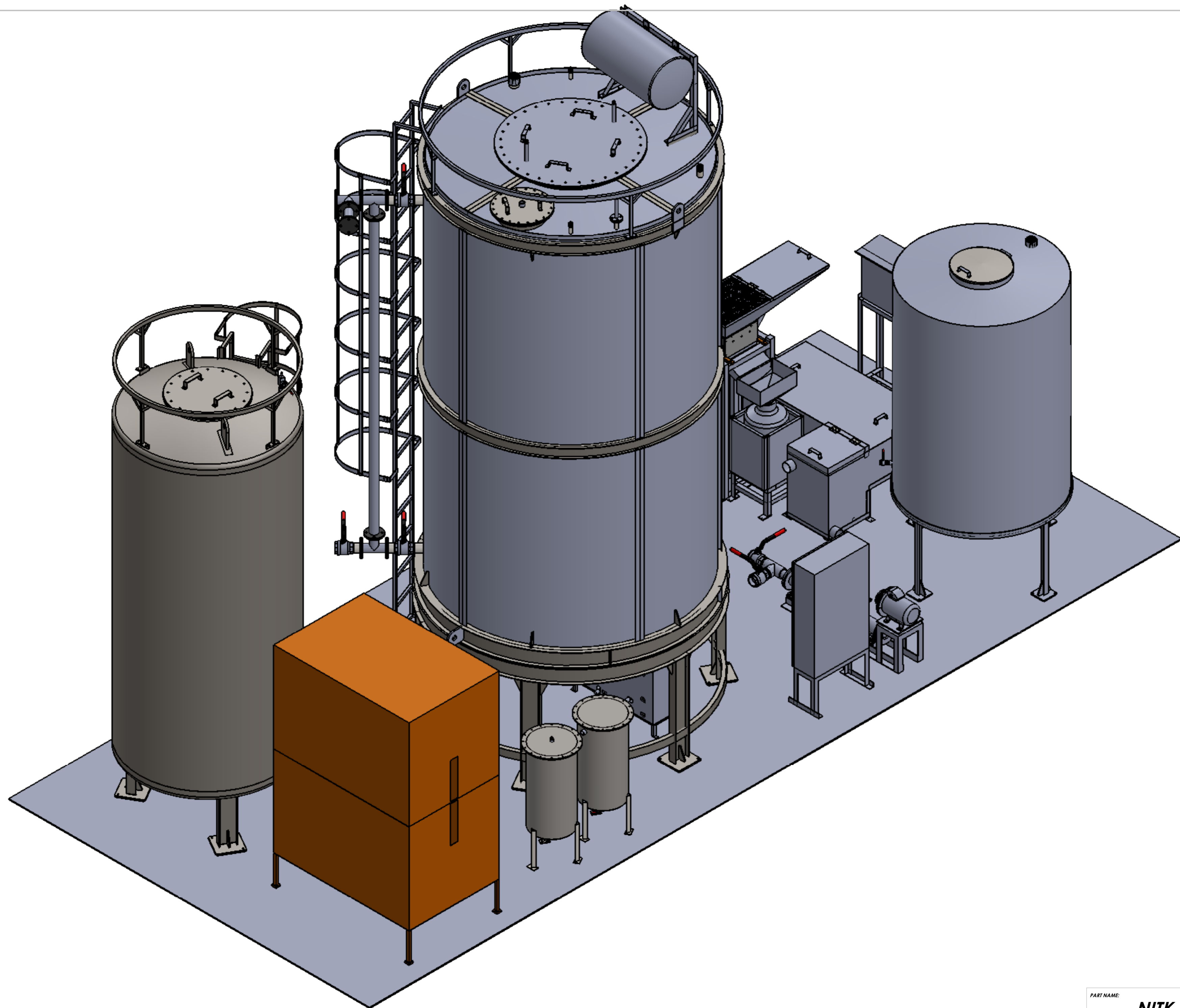
CONSIDERING THE SOIL CONDITION AND THE TOTAL LOAD

OUR RECOMMENDATION - 6"RCC THICKNESS ABOVE GROUND LEVEL



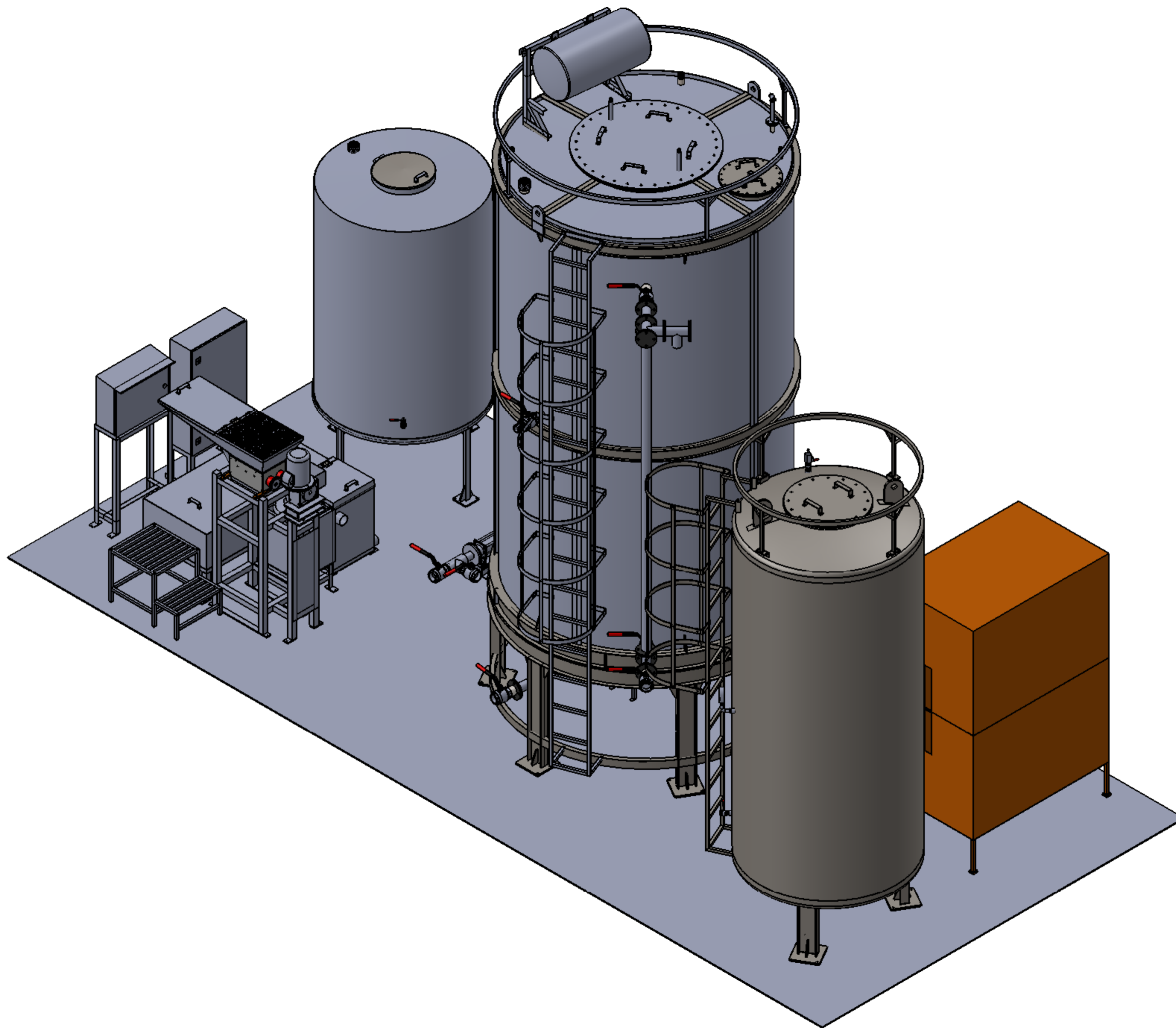
PART NAME:

NITK 500 KPD



PART NAME:

NITK 500 KPD



PART NAME:

NITK 500 KPD

1. Title of the activities

CSR donation amount of Rs. 43,92,800 received from\
M/s Tecnimont Private Limited, Tecnimont House, Chincholi Bunder, 504, Link
Rd, Malad (West), Mumbai- 400064, Maharashtra, for

- (i) Implementing Bio-waste Recycling Pilot Plant Project (₹39,60,800) and
- (ii) Providing two Maire Tecnimont Research Scholarships for Sustainable Development for a period of one year” (₹4,32,000),

2. Principal Coordinator:

Dr Vasudeva Madav,
Assistant Professor, and
Principal Investigator (PI), Campus Waste to Energy Project (CWEP),
(Contribution to Alma Mater Project (CAMP)-1981 KREC B.Tech.)
Department of Mechanical Engineering, NITK Surathkal
Email: vasu@nitk.edu.in, P- 0824-2473670/ M- +91 9008889796

Dr T. P. Ashok Babu
Professor, and
Co- Principal Investigator (Co-PI) (CWEP), (CAMP-1981 KREC B.Tech.),
Department of Mechanical Engineering, NITK Surathkal
Email: tpab57@gmail.com, P- 0824-2473344/ M +91 9986548546)

1. Total funds: Rs. 43,92,800/-

2. Nature of Activities:

Objectives of Implementing Bio-waste Recycling Pilot Plant Project (₹39,60,800)

- Install, commission, operate and maintain Bio-waste recycle plant of 500 kg capacity to produce high quality renewable biogas through anaerobic digestion
- Operate and maintain the plant initially for a period of 3 years based on half yearly performance reviews. Thereafter extendable to a maximum up to 10 years on the basis of annual review.
- Production of high quality renewable bio gas from bio-waste, as per the specifications and also utilization of nutrient rich non-energy by-products as bio-fertilizer for soil conditioning.
- Improve the environmental quality and ambience of Second party area thus no foul smell, no open dumping of bio-waste.
- To build & maintain supply chain for the collection of bio-waste from NITK Campus to the plant location.

Objectives of Providing two Maire Tecnimont Research Scholarships for Sustainable Development for a period of one year” (₹4,32,000)

Number of Scholarships/period available: 2 for period of one year

1. Mechanical Engineering: 01
2. Chemical Engineering: 01

Purpose: In order to foresee the support activities of pilot plant implementation, carryout research work and also to carryout activities related to sustainability at NITK Campus, financial assistance for providing scholarships for two meritorious MTech/PhD [BTech (Mech/Chem) in case of MTech by Research] students for a period of one year was sanctioned by Tecnimont Private Limited, Mumbai

3. Year of implementation: 2020-2021 (Ongoing)

4. Few photographs of setup or events:

Drawings Attached Separately